



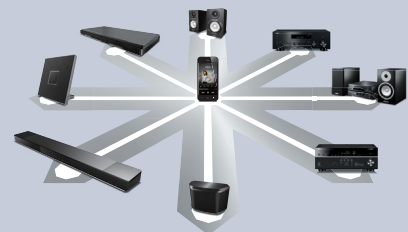
A New Direction for HiFi

Yamaha's network receivers have undergone further evolution. Now compatible with MusicCast, they provide more ways to expand your audio enjoyment, offering high resolution quality from all types of audio content including smartphones and streaming services. Drawing on Yamaha's extensive HiFi expertise, they bring you superb sound quality and musicality. With the R-N602, HiFi audio embarks in a new direction.




Scan code for more information

MusicCast is a new revolution in network audio, use all your MusicCast products together or separately, it's completely up to you. Control it, all from one app, designed to be intuitive, quick and simple to use. Use a soundbar, a wireless speaker, an AV Receiver, HiFi audio whichever suits you best, mix and match then expand your MusicCast system as time goes on. All new from Yamaha, the MusicCast system brings everything to everywhere for everyone.



High sound quality Network HiFi Receiver with support for DSD 5.6MHz reproduction. Compatible with MusicCast and packed with network functions. Unlimited enjoyment of many different sound sources, including hi-res sources, smartphones and streaming services.

musicCast



Black finish available in some area



*Streaming service availability varies by region.

Multi Network Enjoyment

- Enjoy the entire spectrum of all your favourite modern music sources.
- MusicCast expands entertainment possibilities
- Streaming services* offer a huge range of listening choices
* Service availability depends on regions.
- MusicCast CONTROLLER lets you operate from your smartphone or tablet
- Wireless music streaming via *Bluetooth*® or AirPlay
- *Bluetooth* Output for convenient music streaming
- USB digital connection for iPod, iPhone, and USB devices
- Gapless Playback compatibility

High Quality Sound

- ToP-ART sound quality design and highest quality parts
- 5.6MHz DSD Native and AIFF 192kHz/24bit reproduction with high performance 24-bit D/A converter
- Pure Direct Mode for greater sound purity
- Digital audio input for TV or Blu-ray player

Elegant Appearance, Energy-saving Convenience

- Simple yet Sophisticated Design
- Eco Mode and Auto Power Standby

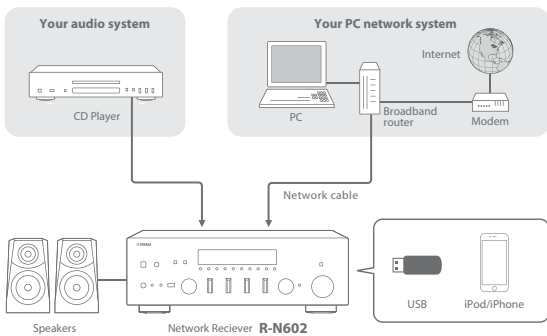
Main Specifications

| | | |
|------------------------------|--|--------------------------------------|
| Audio Section | | |
| Maximum Power | (4 ohms, 1 kHz, 0.7 % THD) | 105 W + 105 W |
| Rated Output Power | (8 ohms, 20 Hz–20 kHz, 0.04% THD) | 80 W + 80 W |
| Maximum Power (JEITA) | (8 ohms, 1 kHz, 10% THD) | 115 W + 115 W |
| Dynamic Power per Channel | (8/6/4/2 ohms) | 105 W/125 W/150 W/178 W |
| Input Sensitivity/Impedance | CD etc | 200 mV / 47 k-ohms |
| | Phono MM | 3.5 mV / 47 k-ohms |
| Frequency Response | CD, etc. (20 Hz–20 kHz / 10 Hz–100 kHz) | 0 ± 0.5 dB / 0 ± 1.0 dB |
| Total Harmonic Distortion | CD, etc. to Speaker Out | 0.015% (40 W / 8 ohms) |
| | Phono MM to Rec Out | 0.025% (3 V) |
| Signal-to-Noise Ratio | CD, etc. (200 mV, Input Shorted) | 100 dB |
| | (IHF-A Network) Phono MM (5 mV, Input Shorted) | 87 dB |
| Network Section | | |
| Network | | LAN (DLNA ver. 1.5 (DMP/DMR)), Wi-Fi |
| Supported Format | MP3, WMA, MPEG4 AAC | 32 to 48 kHz 16/24bit |
| | WAV, FLAC, AIFF | 32 to 192 kHz 16/24bit |
| | ALAC | 32 to 96 kHz 16/24bit |
| | DSD | 2.8/5.6 MHz |
| | Version | |
| <i>Bluetooth</i> | Supported Profile | A2DP, AVRCP |
| | Compatible Codec | Sink: SBC/AAC, Source: SBC |
| Tuner (FM/AM) Section | | |
| 50dB Quieting Sensitivity | (IHF, 1 kHz, 100% Mod., Mono) | 3 µV (20.8 dBf) |
| Signal-to-Noise Ratio | (Mono / Stereo) | 65 dB / 64 dB |
| General Section | | |
| Standby Power Consumption | | 0.1 W |
| Dimensions | (W x H x D) | 435 x 151 x 392 mm |
| | | 17-1/8" x 6" x 15-7/16" |
| Weight | | 9.8 kg (21.6 lbs.) |

Multi Network Enjoyment

Enjoy the Entire Spectrum of All Your Favourite Music Sources

The R-N602 is a receiver and network audio player in a single unit. You can use it to easily play audio sources downloaded from the Internet and stored on a PC or NAS system. Or, enjoy streaming music services and internet radio (with vTuner). Moreover, Yamaha's original MusicCast App allows you to enjoy your favourite tunes on a smartphone or tablet device via wireless connection.



Wireless Music Streaming via *Bluetooth* or AirPlay

Enjoy music from your smartphone or tablet wirelessly using a *Bluetooth* connection. You can also use the convenient AirPlay function for wireless music streaming from iPhone or iPads. In addition, a Network Standby function provides the convenience of having the R-N602 turn on and off automatically.



***Bluetooth* Output for Convenient Music Streaming**

The R-N602 is equipped with the latest *Bluetooth* technology, making wireless operation more convenient than ever. You can stream music from the R-N602 to *Bluetooth* headphones for private listening or to *Bluetooth* speakers.



* *Bluetooth* streaming can only be used for one device at a time.

USB digital connection for iPod, iPhone, and USB devices

The R-N602 provides a USB port on the front panel for quick connection of an iPod, iPhone or USB stick. You have instant access to all your stored music, and the digital connection ensures that you hear it with the highest possible sound quality.



MusicCast

MusicCast Expands Entertainment Possibilities

MusicCast employs a high performance wireless network to deliver music and audio enjoyment. It can stream digital music content from your smartphone, PC or NAS to other MusicCast devices in your home. It can also share the music from external devices such as a CD player or TV connected to the R-N602. Audio content from *Bluetooth*-connected smartphones or tablets can also be streamed to MusicCast devices in multiple rooms.

Streaming from external devices



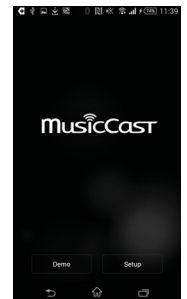
Streaming Services Offer a Huge Range of Listening Choices

Support for the music streaming services Spotify, Pandora, Juke, Napster, Rhapsody and Sirius XM means you'll enjoy a wide variety of music content. Furthermore, support for the vTuner radio station database enables sampling of Internet radio broadcasts from around the world.



MusicCast CONTROLLER Gives You Control from Your Smartphone or Tablet

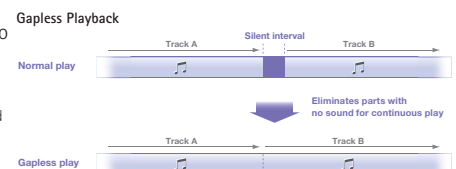
The R-N602 fully supports the free MusicCast CONTROLLER. This app makes it easy to browse and select the music you want to listen to, as well as to control various functions like power on/off. You can also use the app to operate other MusicCast products.



Gapless Playback compatibility

Many live and classical albums have no gaps in the music. Gapless playback ensures that there are no pauses between audio files. This provides playback with no interruptions, the way it was meant to be heard.

* Compatible with WAV, FLAC, AIFF and ALAC file formats, and input from USB / DLNA / DMP.



High Quality Sound

ToP-ART Sound Quality Design and Highest Quality Parts



Everything in the R-N602 has been built for maximum performance and high quality. The internal design utilises simple, direct transmission of the signals—ensuring optimum separation, elimination of noise and distortion, and pure sound reproduction. This includes dual independent power supplies for the two sound sources, analogue and digital, as well as Yamaha's original ToP-ART (Total Purity Audio Reproduction Technology) and Art Base chassis construction to fully protect audio signals from noise and vibration. Moreover, all parts and materials have been carefully selected and tested, to make sure they are of only the highest quality—so that they all work together to provide the absolute best sound possible.

Pure Direct Mode for Greater Sound Purity

Engaging the Pure Direct switch causes the audio signal to bypass the control circuits for bass and treble, balance and the back buffer amp. This improves sound quality while maintaining full output capacity. Shortening the signal route improves sound purity, helping to reproduce even the most delicate musical nuances.



5.6MHz DSD Native and AIFF 192kHz/24bit Reproduction with High Performance 24-bit D/A Converter

5.6MHz DSD Native Resolution and AIFF 192kHz/24-bit Reproduction with High Performance 24-bit D/A Converter To ensure maximum network audio quality, the receiver supports WAV/FLAC 192kHz/24-bit, Apple Lossless 96kHz/24-bit, DSD 5.6MHz and even the new AIFF 192kHz/24-bit formats. It uses a BurrBrown 192kHz/24-bit DAC that has a firmly established reputation for quality. You'll enjoy the beautiful sounds of high resolution audio.



Digital Audio Input for TV or Blu-ray Player

The R-N602 is equipped for digital audio input—with both optical and coaxial terminals. The optical is for receiving audio from a TV, and the coaxial for receiving audio from a Blu-ray player. The audio stays in the digital domain, giving you pure, pristine dynamic sound for all your entertainment sources, from sports and other programmes to movies and concerts.



Elegant Appearance, Energy-saving Convenience

Simple yet Sophisticated Design

With a beautifully simple and unique design inherited directly from Yamaha's HiFi audio components, the R-N602 also boasts an easy-to-operate button layout. The aluminium front panel has a richly textured silver hairline finish. The control knobs are also of the same luxurious construction as used on our top-end models. Both inside and out, everything about the R-N602 demonstrates our commitment to superior design and operability.



Eco Mode and Auto Power Standby

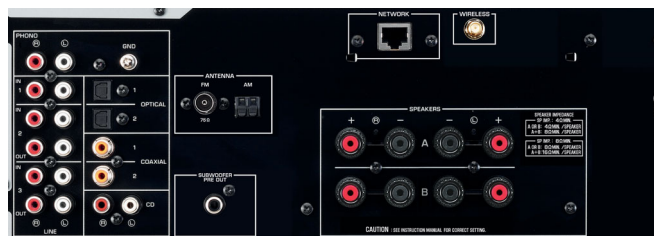


The R-N602 has an ECO mode that reduces power consumption by about 20%*, and an Auto power standby function that you can set to turn the power off after 8 hours.

*Compared to power consumption when ECO mode is off (Yamaha measurement).

Other Notable Features

- Continuously Variable Loudness Control
- Terminal for a Subwoofer
- Phono MM terminal for vinyl playback
- Screw-type speaker terminals
- 40 station FM/AM preset tuning
- Speaker selector and speaker terminals for two systems



European Model

Terminals

| Input | |
|--|-----|
| Analogue Audio (CD, PHONO, LINE 1, LINE 2, LINE 3) | 5 |
| Optical Digital | 2 |
| Coaxial Digital | 2 |
| USB | 1 |
| Network (Ethernet / Wi-Fi) | 1/1 |
| Radio Antenna* (FM/AM) | 1/1 |

*1 The shape of the FM antenna terminal varies according to area.

Output

| | |
|---------------------------------|-----------------|
| Analogue Audio (LINE 2, LINE 3) | 2 |
| Speaker** | 2 (4 terminals) |
| Pre Out (for subwoofer) | 1 |
| Headphone Jack | 1 |

** Banana-plug compatible speaker terminals are available in some areas.

* "Made for iPod" and "Made for iPhone" mean that an electronic accessory has been designed to connect specifically to iPod or iPhone, respectively, and has been certified by the developer to meet Apple performance standards. Apple is not responsible for the operation of this device or its compliance with safety and regulatory standards. Please note that the use of this accessory with iPod or iPhone may affect wireless performance. AirPlay®, iPad, iPhone, iPod, iPod classic, iPod nano, and iPod touch are trademarks of Apple Inc., registered in the U.S. and other countries. • The Wi-Fi CERTIFIED Logo is a certification mark of the Wi-Fi Alliance. The Wi-Fi Protected Setup Identifier Mark is a mark of the Wi-Fi Alliance. • DLNA™ and DLNA CERTIFIED™ are trademarks or registered trademarks of Digital Living Network Alliance. All rights reserved. Unauthorized use is strictly prohibited. • Spotify and Spotify logo are registered trademarks of the Spotify Group. • Napster and the Napster logo are trademarks and registered trademarks of Rhapsody International. • JUKE and JUKE logo are registered trademarks of Media-Saturn-Holding GmbH. The Bluetooth® word mark and logos are registered trademarks owned by Bluetooth SIG, Inc.