

LCD/Plasma wall support EFW 6345

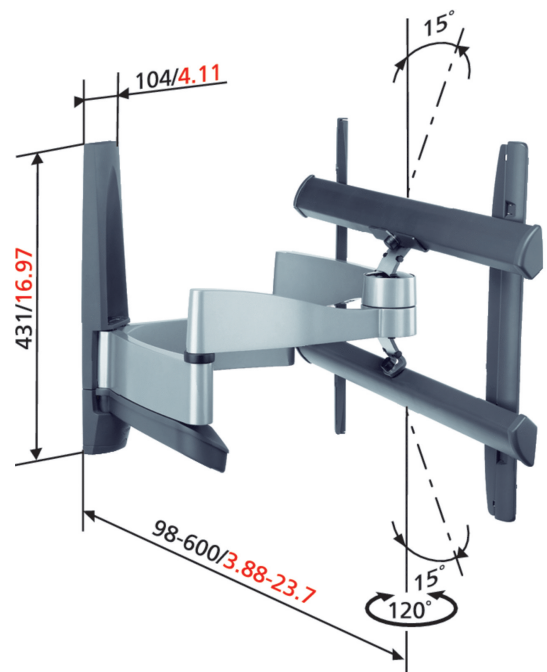
- Screen size (Min. - Max.): 32 – 50 " / 81 – 127 cm
- Max. weight: 45 kg / 99 lbs
- Tilt: 30 °
- Turn: 120 °
- Min. distance to the wall (mm): 98 mm
- VESA mounting holes: 200x101mm up to 700x450mm
- Guarantee: 10 years
- Available colours: Silver/Anthracite

The EFW 6345 LCD/Plasma support is an 'optimally adjustable' wall support suitable for TVs up to 50". It features tilt, turn and reach.





LCD/Plasma wall support EFW 6345



Flexibility and freedom of movement are the key benefits of the EFW 6345, as you can tilt and turn your screen any way you want for an optimal viewing experience. Don't worry about damaging your screen or wall, either as the EFW 6345 features Vogel's unique Screen Protection System (SPS™) to protect both screen and wall.

Note : Some retailers still sell this particular model wall support in the 2007 packaging. The 2007 packaging indicates a smaller maximum screen size compatibility and/or a lower maximum screen weight compared to the specifications on this website. Do not worry, the supports in this older packaging are also suitable for the higher maximum screen sizes and weights as indicated on this website.

Features

- Pre-assembled - install in just 3 easy steps
- Tilt, turn and reach functions guarantee optimal viewing position
- Unique Screen Protection System (SPS™) which protects both screen and wall
- Universal - complies with VESA MIS-F, 700, 450

Logistic information

- Packaging size: 792x386x106 mm
- Max. weight: 13 kg / 28 lbs
- EAN Code: 8712285309021